



NATHALIE

DOUBLE
design Vico Magistretti
1978

The parent of all textile beds, its bows are unmistakable. Headboard and base can be upholstered with fabric, leather or Ecopelle. The covers are completely removable thanks to the practical Velcro fasteners. The headboard is also available in an adjustable version, to provide a more comfortable support to the resting body. The cushion covers of the headboard allow the pillows to be stored and protected from dust. Available with rigid base, box-spring base Comfort, storage base, fixed base h 25 cm. or h 16 cm. and with electrical movements.

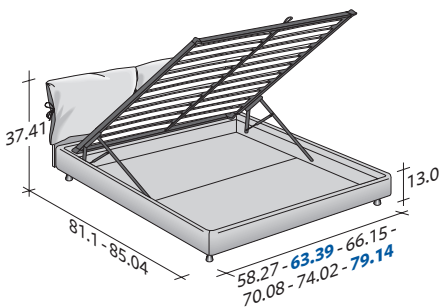


NATHALIE DOUBLE
design Vico Magistretti 1978

OUTER SIZES/BASES AND MATTRESS SUPPORTS

◆ **QUEEN, KING** available only for the **NORTH AMERICAN MARKET**

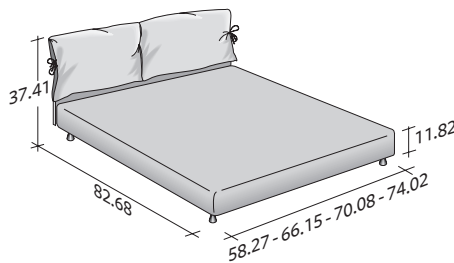
SIZE IN INCHES



◆ **QUEEN, KING**

STORAGE BASE

- ◆ ADJUSTABLE SLATTED BASE
- ORTHOPAEDIC SURFACE
- SLATTED BASE



RIGID BASE

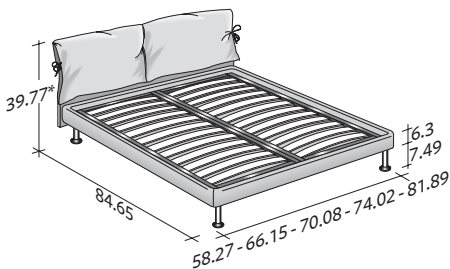


◆ **QUEEN, KING**

* 38.98 with adjustable headboard

BASE H25

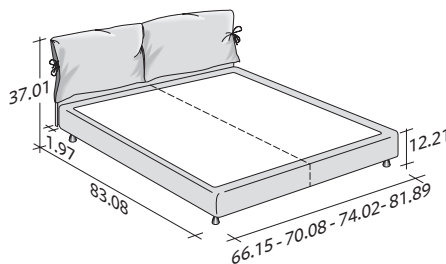
- ◆ ADJUSTABLE SLATTED BASE
- ORTHOPAEDIC SURFACE
- ELECTRICALLY POWERED ADJUSTABLE SLATS



* 41.74 with adjustable headboard

BASE H16

- ADJUSTABLE SLATTED BASE
- ORTHOPAEDIC SURFACE
- ELECTRICALLY POWERED ADJUSTABLE SLATS



BOX-SPRING BASE COMFORT