



ANGLE

design Rodolfo Dordoni
2008

Double-size bed with impressive lines, available in the versions with simple headboard or with side panels.

Padded and quilted headboard with completely removable covers in fabric or leather.

Available with box-spring base Comfort, fixed base h 25 cm, storage base or base with electrical movements.

Two lamps Angle with a polished chrome-plated, golden or bronze tubular structure can be installed in the intersection recess between the headboard and the panels of Angle bed with side panels.

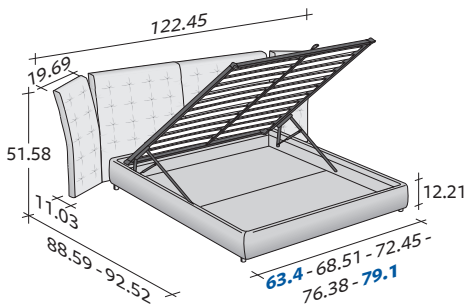


ANGLE WITH SIDE PANELS
 QUILTED HEADBOARD
 design Rodolfo Dordoni 2008

OUTER SIZES/BASES AND MATTRESS SUPPORTS

◆ QUEEN, KING available only for the NORTH AMERICAN MARKET

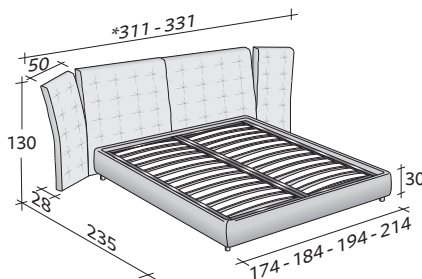
SIZE IN INCHES



◆ QUEEN, KING

STORAGE BASE

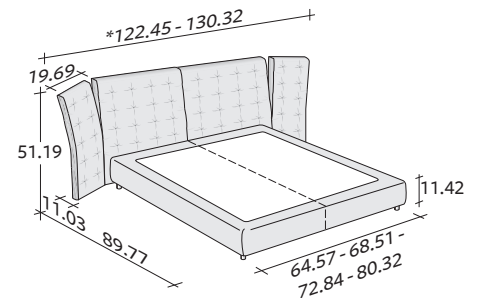
- ◆ ADJUSTABLE SLATTED BASE
- ORTHOPAEDIC SURFACE



◆ QUEEN, KING

BASE H25

- ◆ ADJUSTABLE SLATTED BASE
- ORTHOPAEDIC SURFACE
- ELECTRICALLY POWERED ADJUSTABLE SLATS



BOX-SPRING BASE COMFORT

* Headboard width:
 311 for mattresses 160/170/180
 331 for mattresses 200