



## NATHALIE

SINGLE

design Vico Magistretti

1978

The parent of all textile beds; its bows are unmistakable. Headboard upholstered and padded, like the base, with fabric, leather or Ecopelle covers that can be completely removed thanks to the practical Velcro fasteners; it can also be reclined with a manual mechanism.

The cushion-covers of the headboard allow the pillows to be stored and protected from dust.

Available with rigid base, box-spring base Comfort, storage base, fixed base h 25 cm. or h 16 cm. and with electrical movements.



LA CULTURA DEL DORMIRE.

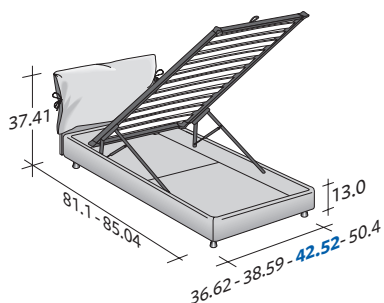


**NATHALIE SINGLE**  
design Vico Magistretti 1978

OUTER SIZES/BASES AND MATTRESS SUPPORTS

◆ **TWIN X-LONG available only for the NORTH AMERICAN MARKET**

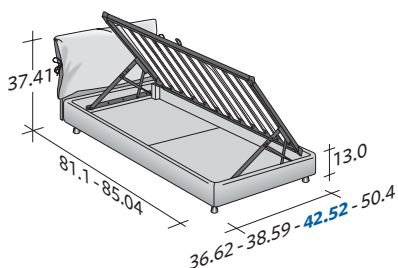
SIZE IN INCHES



◆ **TWIN X-LONG**

**STORAGE BASE**

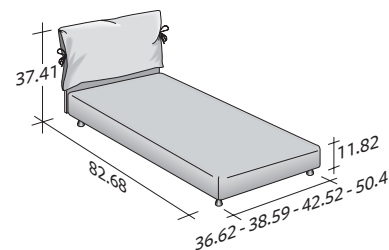
- ◆ ADJUSTABLE SLATTED BASE
- ORTHOPAEDIC SURFACE
- SLATTED BASE



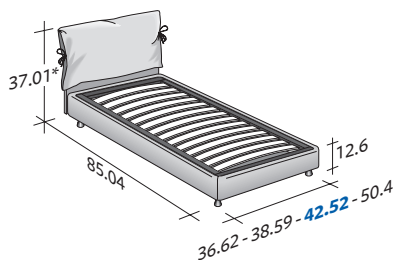
◆ **TWIN X-LONG**

**STORAGE BASE SIDE OPENING**

- ◆ ADJUSTABLE SLATTED BASE
- ORTHOPAEDIC SURFACE



**RIGID BASE**

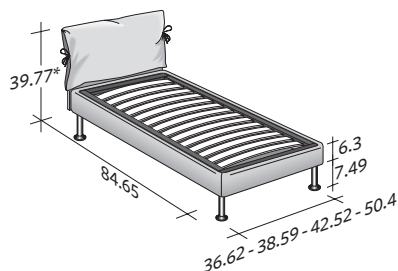


◆ **TWIN X-LONG**

\*99 with adjustable headboard

**BASE H25**

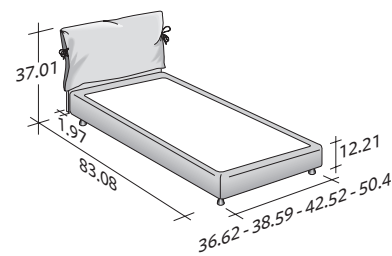
- ◆ ADJUSTABLE SLATTED BASE
- ORTHOPAEDIC SURFACE
- ELECTRICALLY POWERED ADJUSTABLE SLATS



\*41,74 with adjustable headboard

**BASE H16**

- ADJUSTABLE SLATTED BASE
- ORTHOPAEDIC SURFACE
- ELECTRICALLY POWERED ADJUSTABLE SLATS



**BOX-SPRING BASE COMFORT**