



NATHALIE
DOUBLE
design Vico Magistretti
1978

The parent of all textile beds; its bows are unmistakable. Headboard upholstered and padded, like the base, with fabric, leather or Ecopelle covers that can be completely removed thanks to the practical Velcro fasteners; it can also be reclined with a manual mechanism.

The cushion-covers of the headboard allow the pillows to be stored and protected from dust.

Available with rigid base, box-spring base Comfort, storage base, fixed base h 25 cm. or h 16 cm. and with electrical movements.

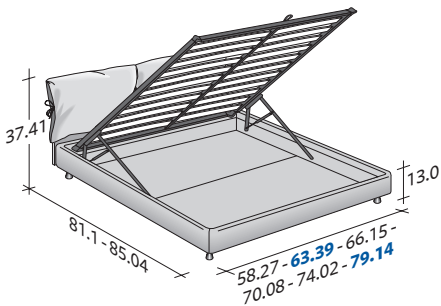


NATHALIE DOUBLE
design Vico Magistretti 1978

OUTER SIZES/BASES AND MATTRESS SUPPORTS

◆ **QUEEN, KING available only for the NORTH AMERICAN MARKET**

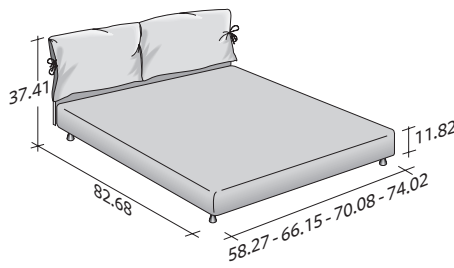
SIZE IN INCHES



◆ **QUEEN, KING**

STORAGE BASE

- ◆ ADJUSTABLE SLATTED BASE
- ORTHOPAEDIC SURFACE
- SLATTED BASE



RIGID BASE

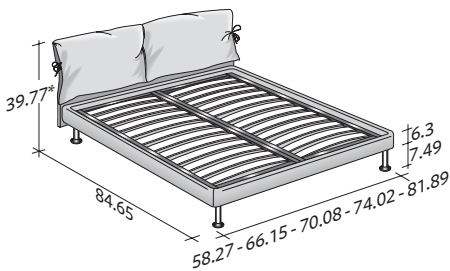


◆ **QUEEN, KING**

* 38.98 with adjustable headboard

BASE H25

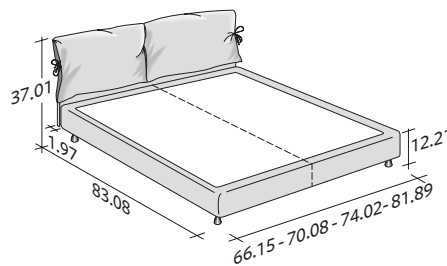
- ◆ ADJUSTABLE SLATTED BASE
- ORTHOPAEDIC SURFACE
- ELECTRICALLY POWERED ADJUSTABLE SLATS



* 41.74 with adjustable headboard

BASE H16

- ADJUSTABLE SLATTED BASE
- ORTHOPAEDIC SURFACE
- ELECTRICALLY POWERED ADJUSTABLE SLATS



BOX-SPRING BASE COMFORT