



## MERKURIO

SINGLE  
design Rodolfo Dordoni  
2010

The base and the headboard of this bed have been completely and softly upholstered; the bed has been produced under the banner of tradition, craftwork and clean lines.

Available with box -spring base Comfort, fixed base h 25 cm., storage base and with electrical movements.

The removable covers – coupled with filling that accentuates the softness - can be selected from Flou's collection of fabrics, leathers and Ecopelle.

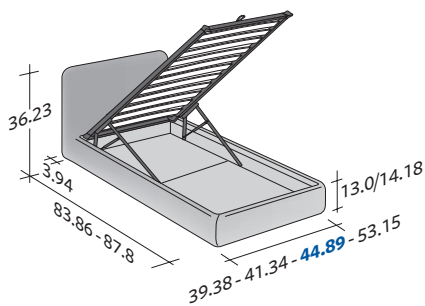


**MERKURIO SINGLE**  
design Rodolfo Dordoni 2010

OUTER SIZES/BASES AND MATTRESS SUPPORTS

◆ **TWIN X-LONG** available only for the **NORTH AMERICAN MARKET**

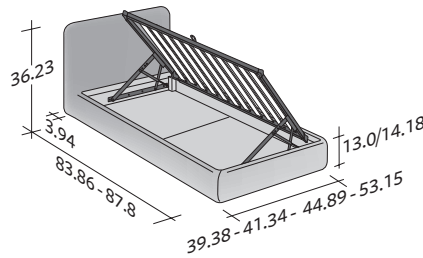
SIZE IN INCHES



◆ **TWIN X-LONG**

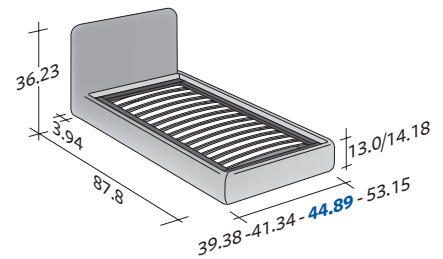
**STORAGE BASE**

- ◆ ADJUSTABLE SLATTED BASE
- ORTHOPAEDIC SURFACE



**STORAGE BASE SIDE OPENING**

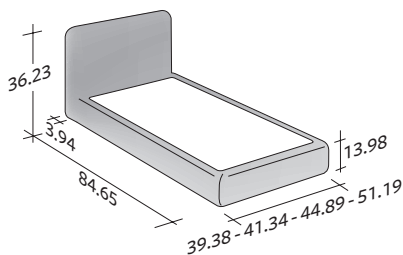
- ADJUSTABLE SLATTED BASE
- ORTHOPAEDIC SURFACE



◆ **TWIN X-LONG**

**BASE H25**

- ◆ ADJUSTABLE SLATTED BASE
- ORTHOPAEDIC SURFACE
- ELECTRICALLY POWERED ADJUSTABLE SLATS



**BOX-SPRING BASE COMFORT**