



## BINARIO

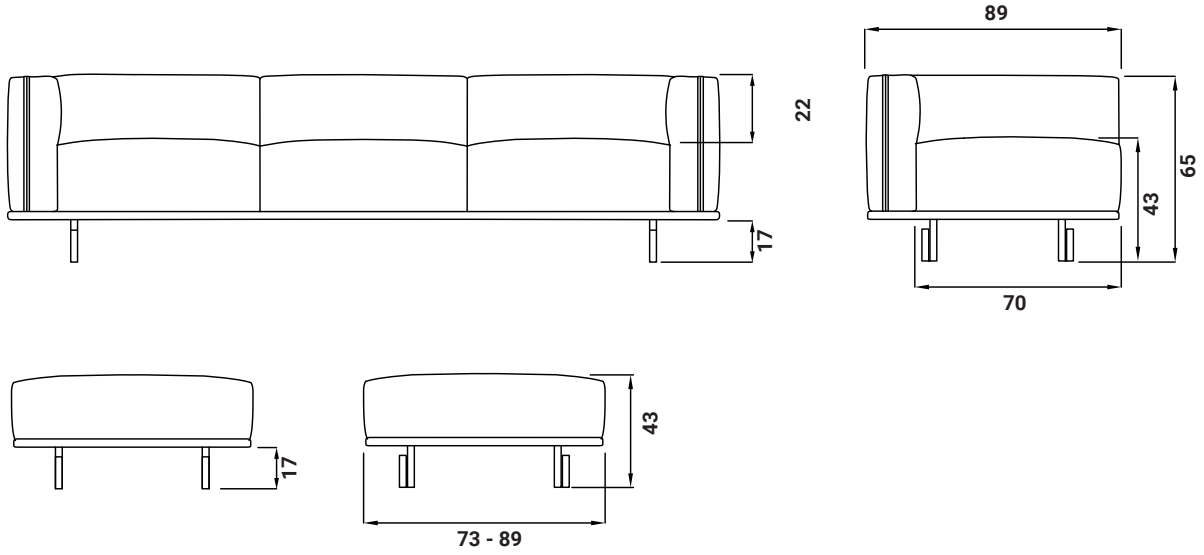
SOFA

design Pinuccio Borgonovo  
2019/2020

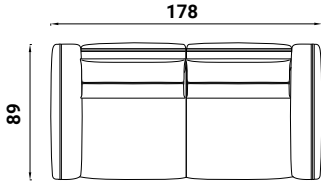
A sofa with a sober line and a simple modularity, versatile and ideal for the workplace, public spaces, unconventional and dynamic living spaces. The two- or three-seater elements with one or two armrests and the two large square poufs are interchangeable: seatings and poufs separate, they are assembled and re-assembled to create arrangements that are always new and design the spaces to suit every necessity.

The clean, modern and light lines are underlined by the double feet in matt burnished finish that raise it from the ground. Large feather cushions, that repeat the relief stitching of the sofa's armrests, give the composition a distinctive, elegant appearance. A clever accessory to support the backrests, that can be moved and positioned on each element, increases the support height, offering perfect comfort for each type of seating.

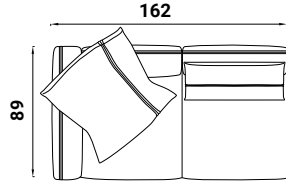
Available with completely removable fabric or leather covers.



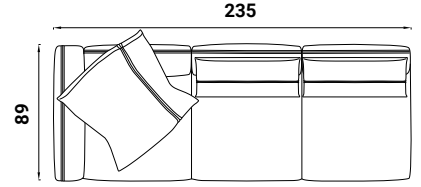
CDIB 201



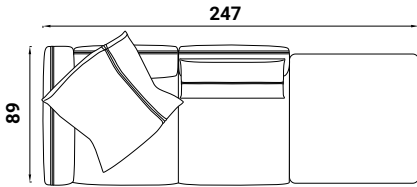
CDIB 202



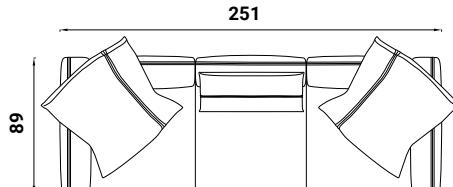
CDIB 203



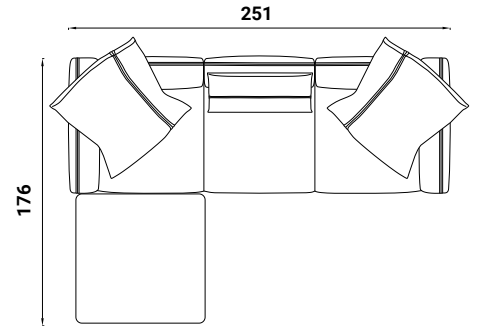
CDIB 204



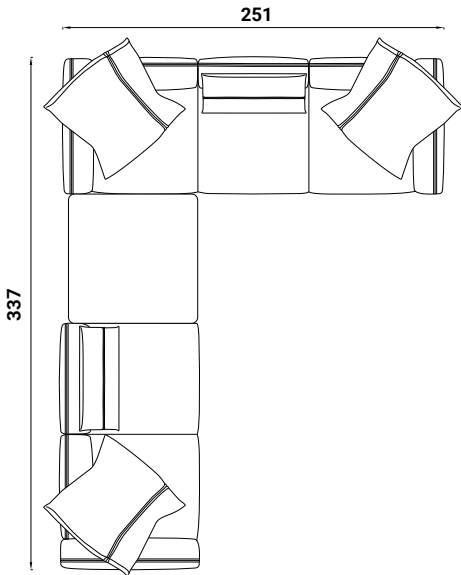
CDIB 205



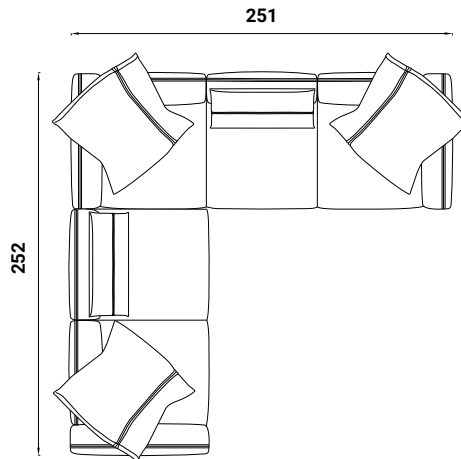
CDIB 206



CDIB 207



CDIB 208



CDIB 209

