

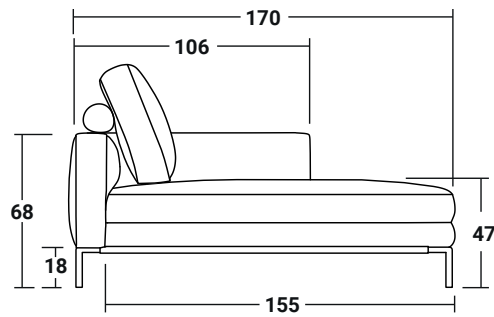
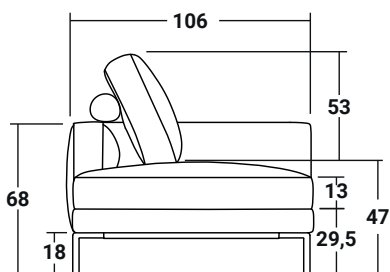
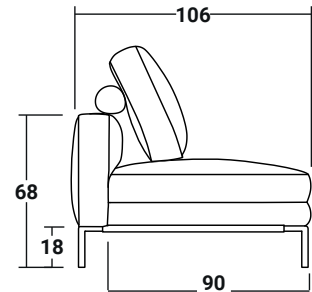
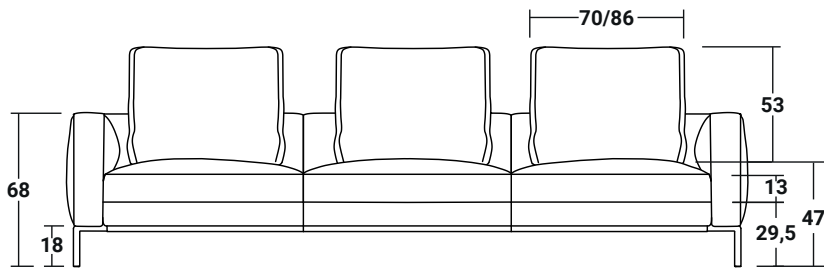
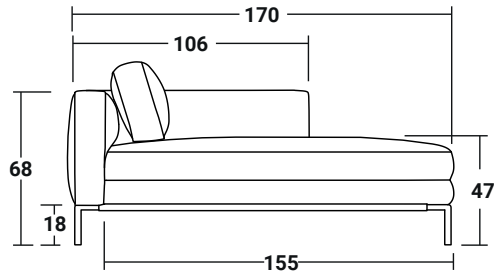
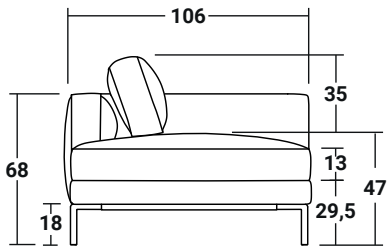
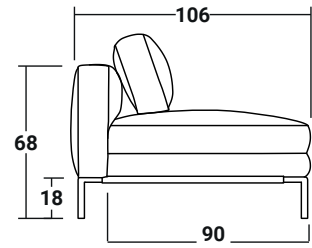
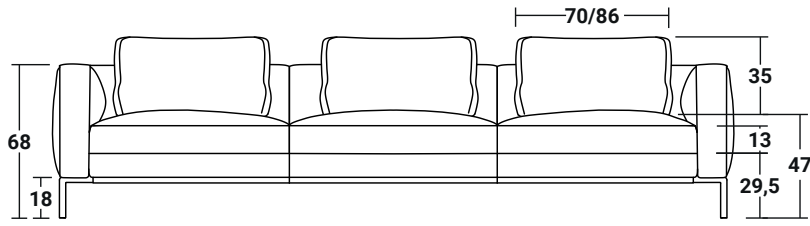


ICON
SOFA
design Carlo Colombo
2020

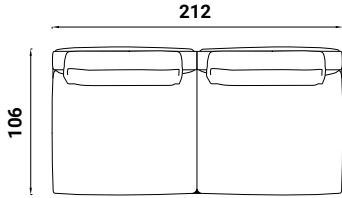
Understated luxury, elegance and comfort are the key features of this modular sofa. A modern, linear project in which details make the difference: the accurate study of the proportions; the intentionally accentuated rounded shape of backrests and armrests; the perfection of each visible stitching of the covers.

Even in the wider compositions the sofa Icon stands out for its light look, thanks to the raised seat and the details visible on the metal base and aluminium feet, available with a glossy black nickel or matt burnished finish.

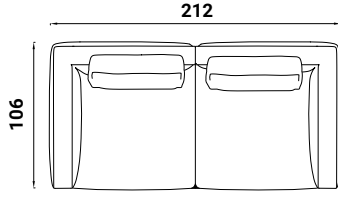
The completely removable cover is available in fabric or leather; the comfort of the seats can be increased by the use of square goose down cushions, in two different sizes and with removable fabric or leather cover with decorative piping.



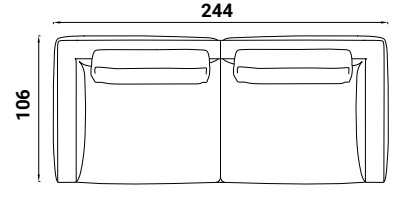
CDII 301



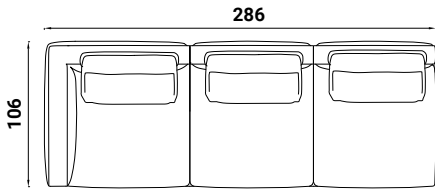
CDII 302



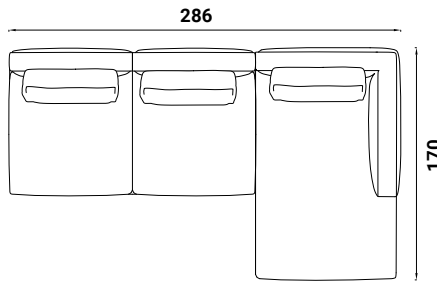
CDII 303



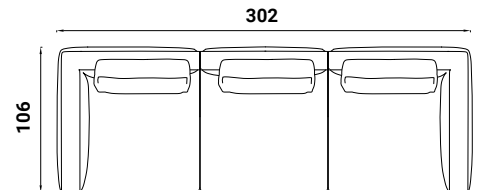
CDII 304



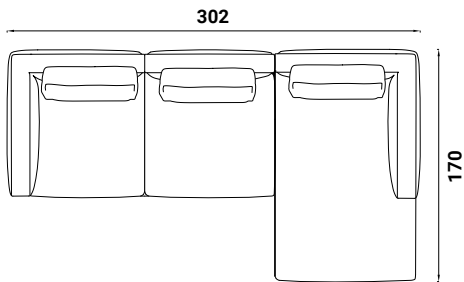
CDII 305



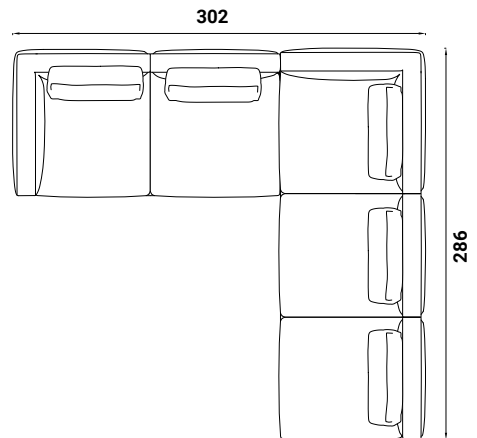
CDII 306

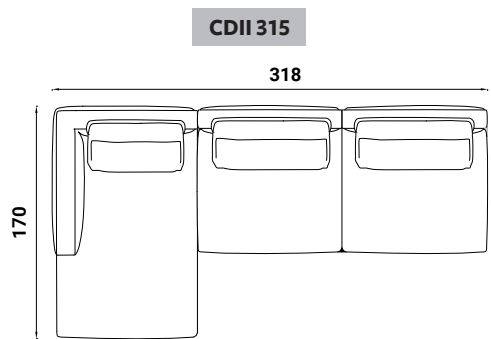
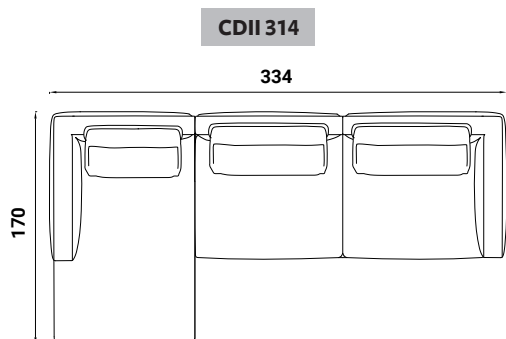
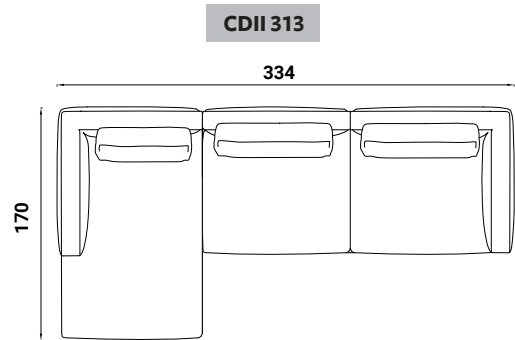
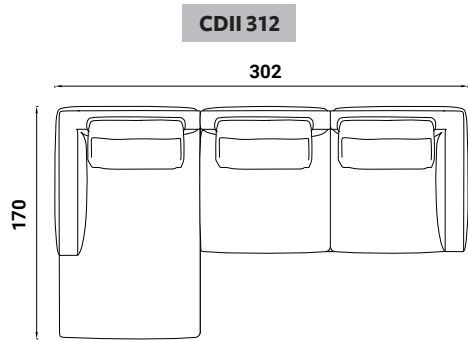
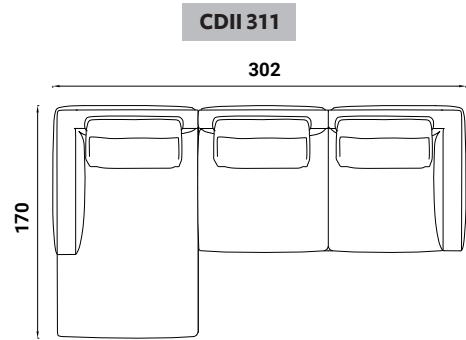
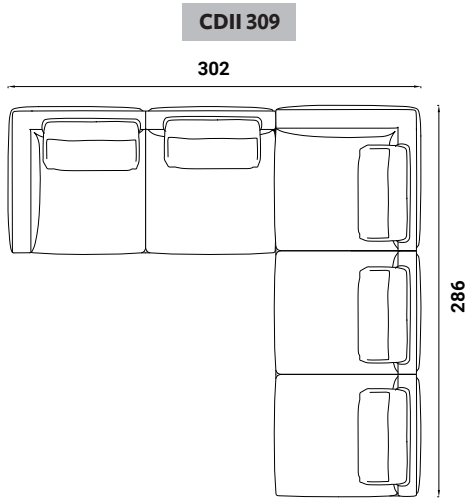


CDII 307



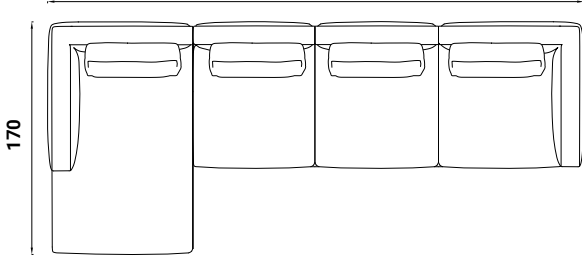
CDII 308





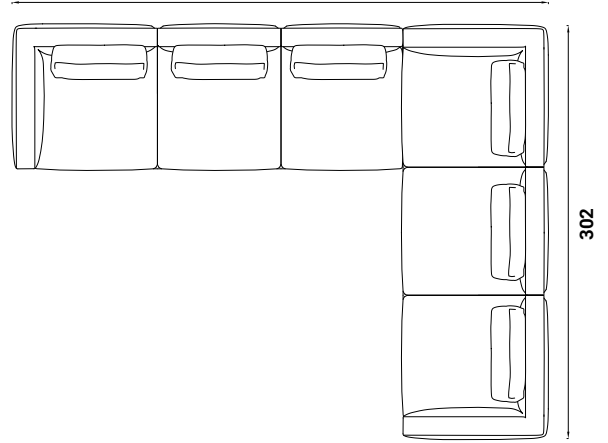
CDII 316

392



CDII 317

392



CDII 318

392

